



UNITED STATES PATENT AND TRADEMARK OFFICE

UNITED STATES DEPARTMENT OF COMMERCE
United States Patent and Trademark Office
Address: COMMISSIONER FOR PATENTS
P.O. Box 1450
Alexandria, Virginia 22313-1450
www.uspto.gov

APPLICATION NO.	FILING DATE	FIRST NAMED INVENTOR	ATTORNEY DOCKET NO.	CONFIRMATION NO.
-----------------	-------------	----------------------	---------------------	------------------

10/005,757 11/02/2001 Joseph D. Franko SR. QAL-30 9068

32863 7590 12/29/2006
WALTER K. ROLOFF
490 HARBOR COURT
SHOREVIEW, MN 55126

EXAMINER

HENDERSON, MARK T

ART UNIT PAPER NUMBER

3722

MAIL DATE DELIVERY MODE

12/29/2006 PAPER

Please find below and/or attached an Office communication concerning this application or proceeding.

NT

Response to Rule 312 Communication	Application No. 10/005,757	Applicant(s) FRANKO, JOSEPH D.	
	Examiner Mark T. Henderson	Art Unit 3722	

-- The MAILING DATE of this communication appears on the cover sheet with the correspondence address --

1. The amendment filed on 16 February 2006 under 37 CFR 1.312 has been considered, and has been:

a) entered.

b) entered as directed to matters of form not affecting the scope of the invention.

c) disapproved because the amendment was filed after the payment of the issue fee.

Any amendment filed after the date the issue fee is paid must be accompanied by a petition under 37 CFR 1.313(c)(1) and the required fee to withdraw the application from issue.

d) disapproved. See explanation below.

e) entered in part. See explanation below.



Daniel W. Howell
Primary Examiner
Art Unit 3722

*Please Enter
- 27/1*

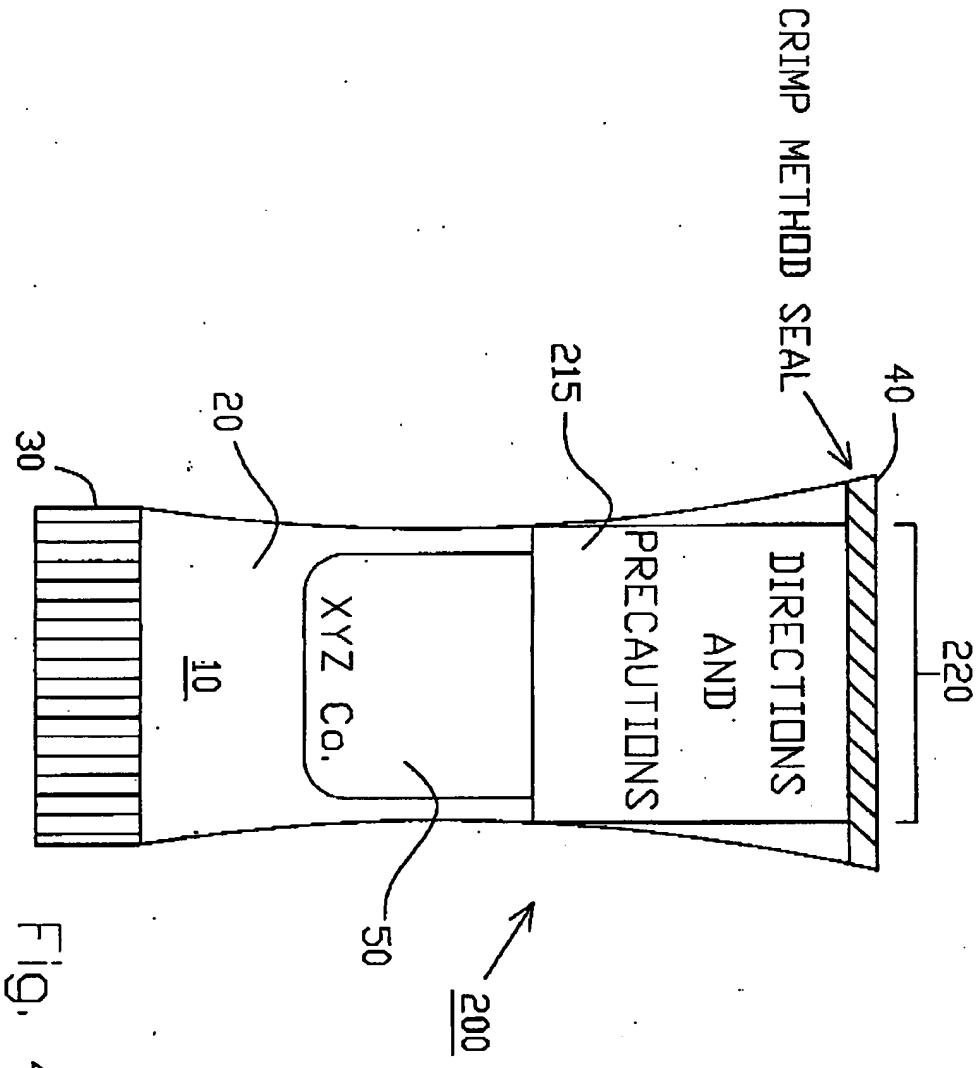


FIG. 4

*Please enter
- 2007/8*

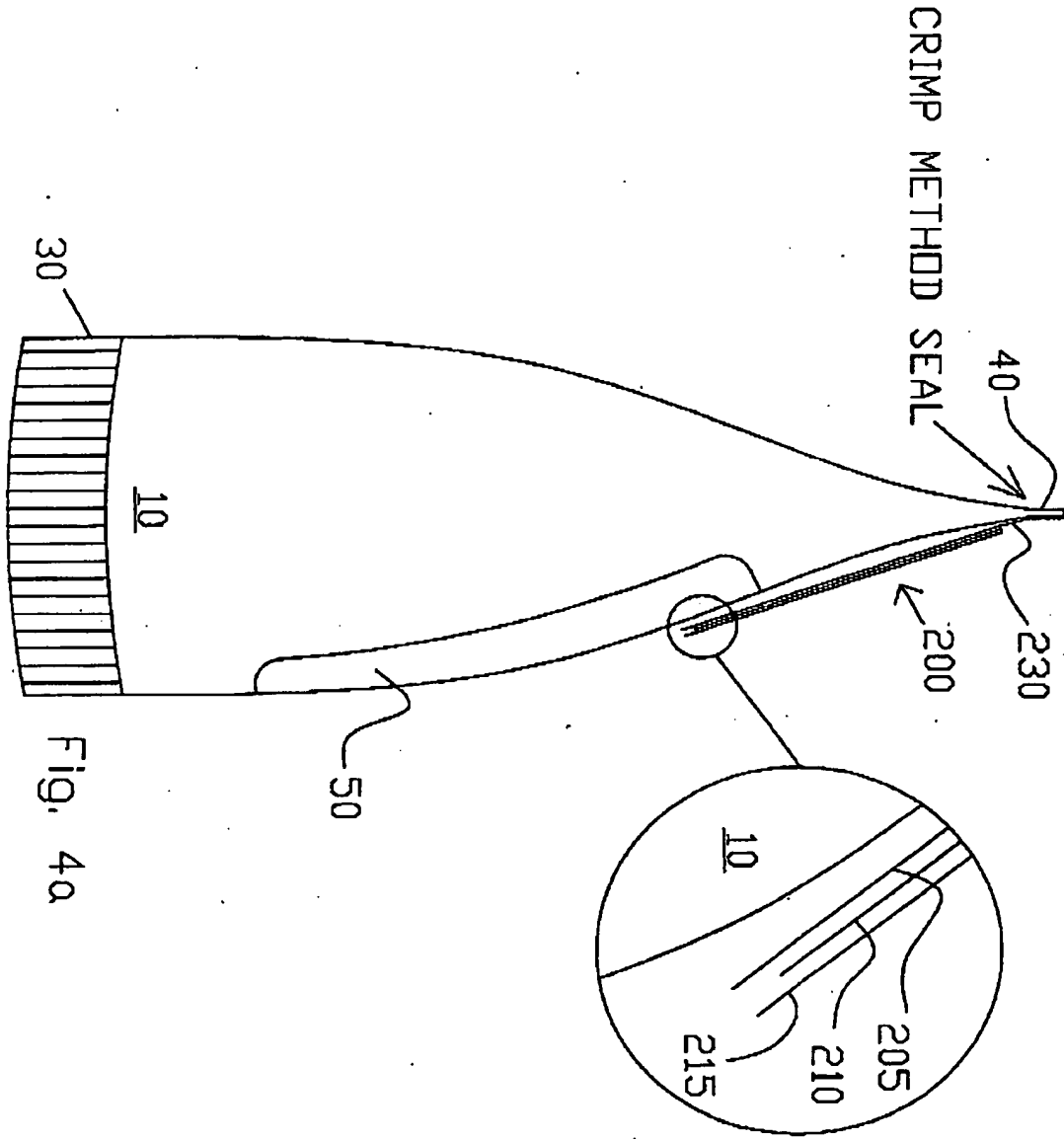


Fig. 4a